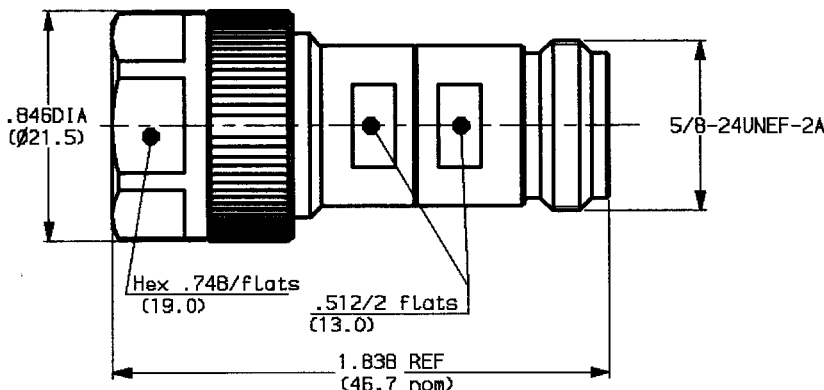


CAPTIVE CONTACT . MALE - FEMALE ADAPTOR

DEP90.R161.500



WEIGHT oz ( g )

CHARACTERISTICS

NOMINAL IMPEDANCE	50 $\Omega$
FREQUENCY RANGE	0-18 GHz
TEMPERATURE RATING	-65/+165 °C
VSWR	1.05 + 0.005 f(GHz)
RF INSERTION LOSS	0.1 $\sqrt{f}$ dB Maxi
VOLTAGE RATING	1000 Vrms Maxi
DIELECTRIC WITHSTANDING VOLTAGE	2500 Vrms mini
INSULATION RESISTANCE	5000 Mo mini
HERMETIC SEAL	NA cc/s Atm.cm3/s
LEAKAGE	0.641 psi .0044 MPa
( Low atmospheric air pressure )	-

STANDARDISATION	MIL C 39012
	CECC 22000
	IEC 169-16
	DS 8811 - Aeronautic applications

CABLE RETENTION	NA	Lb mini
		N
CENTER CONTACT RETENTION		
Axial force - mating end	6.075	Lb mini
	27	N
Axial force - opposite end	6.075	Lb mini
	27	N
Torque (Min)	NA	Inch.oz
		cm.N

RECOMMENDED TORQUES		
Mating	14.176	inch.Lb
	150	cm.N
Panel nut	NA	Inch.Lb
		cm.N
Clamp nut	NA	inch.Lb
		cm.N

CONSTRUCTION

CONNECTOR PARTS	MATERIALS	FINISH
BODY	STAINLESS STEEL	PASSIVATED
OUTER CONTACT	STAINLESS STEEL	PASSIVATED
CENTER CONTACT	BERYLLIUM COPPER	GOLD
INSULATOR	POLYETHERIMID RESIN	-
INSULATOR	PTFE	-
GASKET	FLUOROSILICON	-
-	-	-
-	-	-
-	-	-

ISSUE	REVISION No	DESCRIPTION	BY	DATE
.	.	.	.	.
.	.	.	.	.
.	.	.	.	.
.	.	.	.	.

Initiated on 09-JUL-90  
Superseded on - - - - -

The information given here is subject to change without notice. Design changes may be in order to improve the product.

